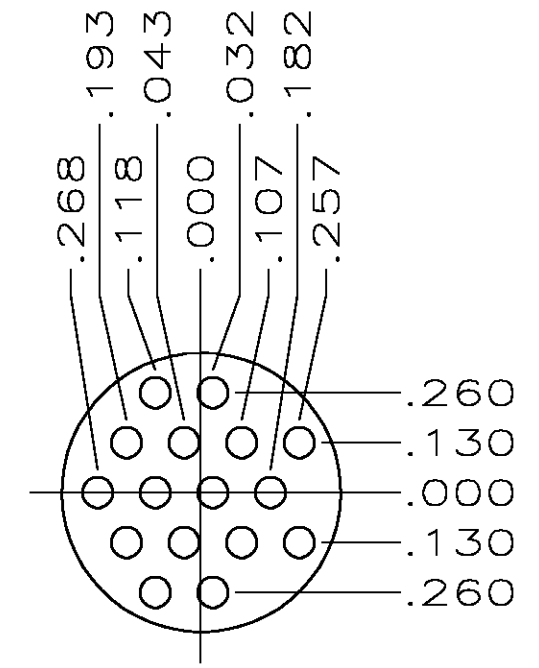
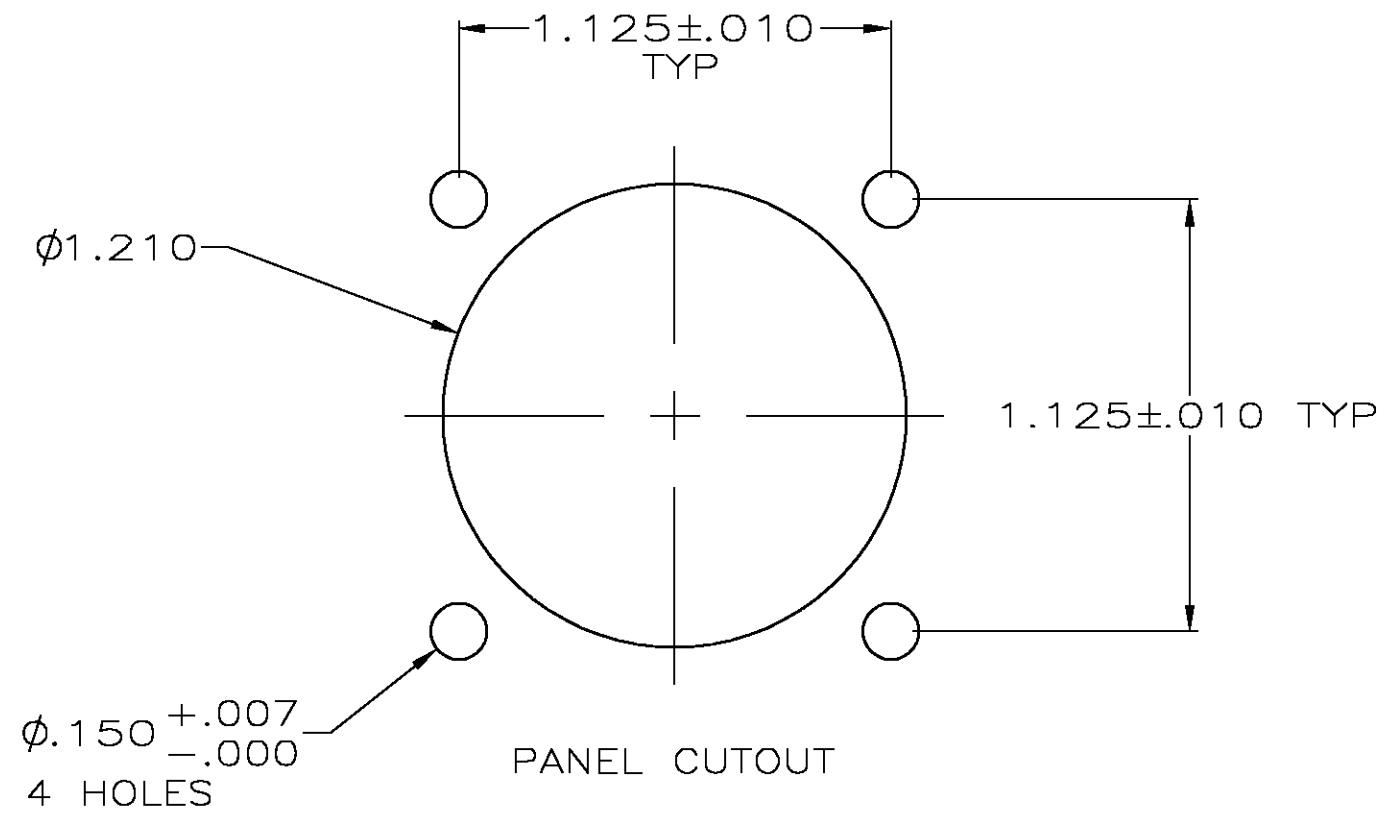
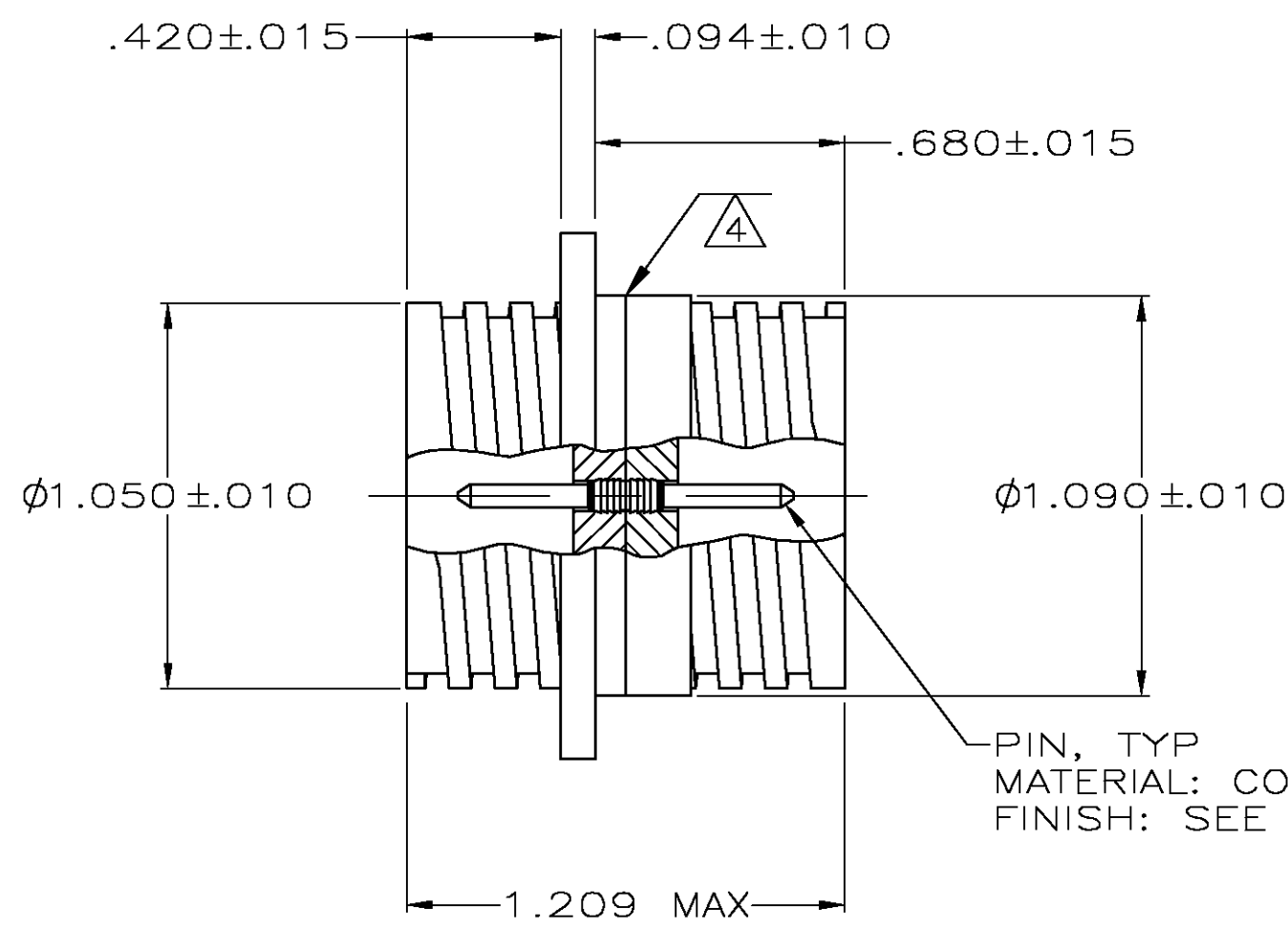
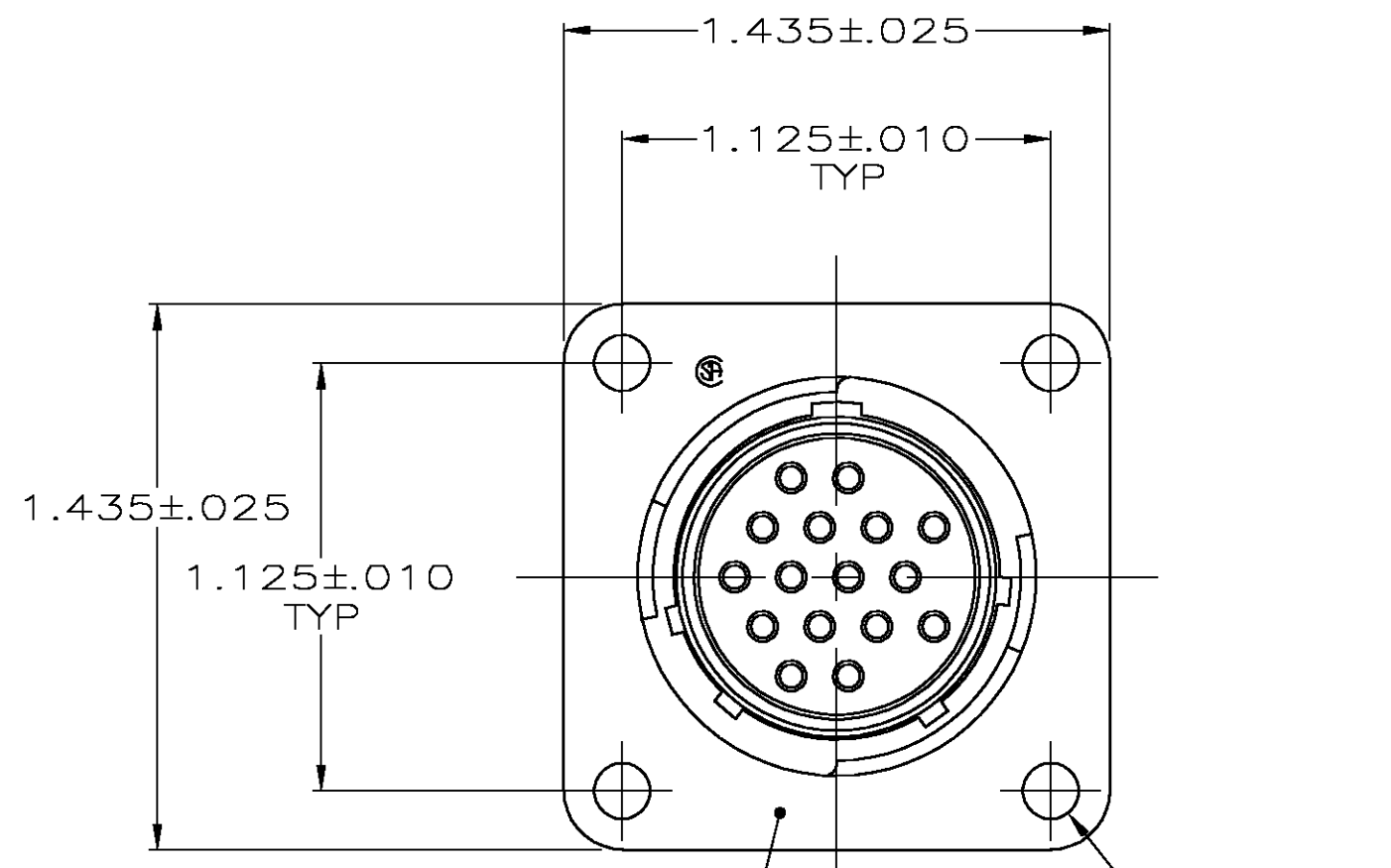


THIS DRAWING IS UNPUBLISHED. RELEASED FOR PUBLICATION
 © COPYRIGHT BY TYCO ELECTRONICS CORPORATION. ALL RIGHTS RESERVED.

LOC		DIST		REVISIONS			
P	LTR	DESCRIPTION	DATE	DWN	APVD		
FT	0	G	REVISED PER 0G3B-0548-04	6/22/04	SS	SH	



NOTES:

- ① GOLD OVER NICKEL PLATED
- ② TIN PLATED.
- 3. CONNECTORS ARE FULLY LOADED WITH 16 SIZE 16 PIN CONTACTS PERMANENTLY INSTALLED.
- ④ .012 MAXIMUM GAP PERMISSIBLE BETWEEN CONNECTOR HALVES.

OBSOLETE	②	206552-2
	①	206552-1
CONTACT FINISH		PART NUMBER

THIS DRAWING IS A CONTROLLED DOCUMENT.		DWN	J GALLUCCI BG	5-22-91	Tyco Electronics Corporation Harrisburg, Pa 17105-3608
DIMENSIONS: INCHES		CHK	W.G.LENKER	4-13-92	
TOLERANCES UNLESS OTHERWISE SPECIFIED:		APVD		-	NAME
0 PLC ± - 1 PLC ± - 2 PLC ± - 3 PLC ± .005 4 PLC ± - ANGLES ± - FINISH SEE TABLE		PRODUCT SPEC		108-10024	RECEPTACLE ASSEMBLY, FEED THRU, SERIES 1, 17-16, CPC
MATERIAL RCPT: THERMOPLASTIC		WEIGHT		-	SIZE
		CUSTOMER DRAWING		A2	CAGE CODE
		SCALE		2:1	DRAWING NO
		SHEET		1 OF 1	RESTRICTED TO
		REV		G	

206552